

Terufusion®

Advanced Infusion System



A clear view on infusion

A clear view on infusion



In a hospital's mission to treat patients it is faced with the difficulty of combining the safest, most accurate treatments with a simple workflow. High-tech equipment often lacks ease-of-use, resulting in stress and risks, whilst simplicity might not bring the dedicated treatment to the optimal level.

Concept of Advanced Infusion System








Terumo's Terufusion Advanced Infusion System offers more accurate and safer syringe and volumetric pumps without putting an extra burden on the healthcare professional. We combine sophisticated technologies with stress-free ease-of-use to facilitate improved patient outcomes.

Using leading-edge IT capabilities, SMART Terufusion pumps connect with hospital information and data systems. This results in giant steps towards shared information.

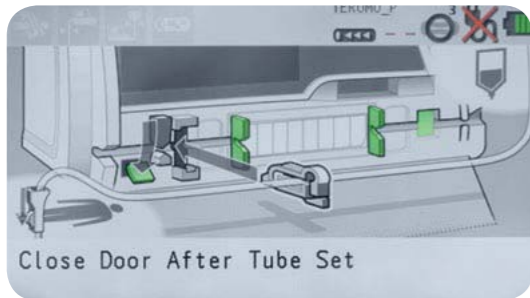
Standard Terufusion Pumps simplify workflows without compromising safety and treatment.

Completing the line-up with syringes, infusion sets and accessories, Terufusion Advanced Infusion System is a comprehensive and reliable partner for infusion management optimization.

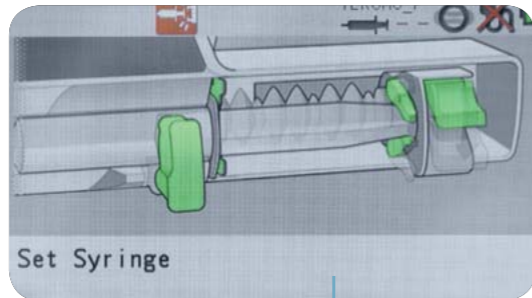
Terufusion Advanced Infusion System: successful integration of professionalism, safety and ease-of-use.

	Volumetric Infusion Pump	Syringe Pump
Standard	Infusion Pump TE-LF600 	Syringe Pump TE-SS700 
	Infusion Pump TE-LM700 	
Smart	Infusion Pump TE-LM800 	Syringe Pump TE-SS800 

+ Monitoring



Close Door After Tube Set



Set Syringe

Volumetric

To facilitate easy start up, visual instructions on how to set the infusion set or the syringe are shown on the large coloured screen.

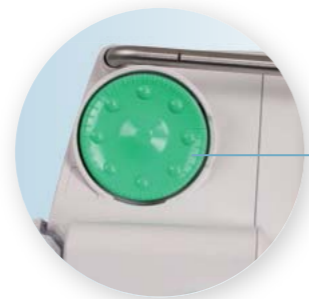
Syringe



+ Speed

For healthcare professionals starting the infusion quickly, is not only an advantage but often a necessity.

The fast self check of the Terufusion pump combined with the simple interface and unique rotary dial ensures this. Even first time users can quickly and easily be trained to set up a correct flow rate.



+ Mobility

Transporting patients is easier and quicker using the integrated handle in Terufusion pumps. Pumps can be removed or attached to a pole or the Terufusion rack quickly and simply using the pole clamp.



+ Advanced communication*

A balanced and continuous infusion of multiple medications is often imperative to optimize patient treatment.

Internal communication between Terufusion SMART pumps stationed in a Terufusion communication rack system provides special functions like piggy back and take over mode for a balanced continuous infusion.

Solo Piggy



Pair Piggy



Take Over Mode

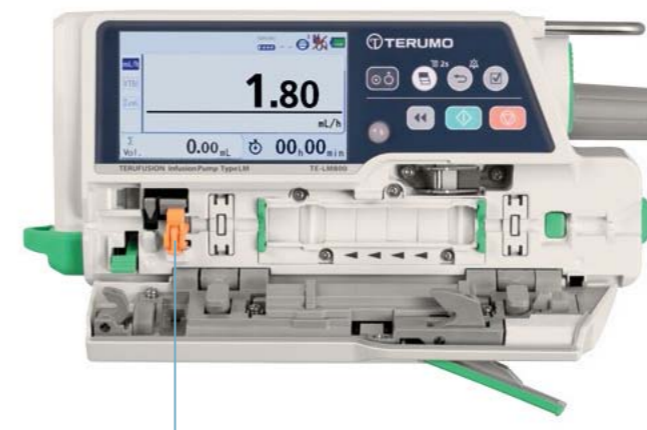


+ Speed

In order to move pumps easily from one ward to another and avoid mistakes in infusion, Terufusion SMART pumps have a drug library where a drug profile can be created and adapted to meet the individual needs of each specific ward.



+ Patient safety



If the healthcare professional forgets to engage the roller clamp when moving the tube from the infusion pump, the risk of free flow is almost unavoidable. The Anti Free Flow (AFF) function prevents inadvertent excess infusion by automatically closing the tube with the anti-free flow clip when the door is opened. (LM-series only)

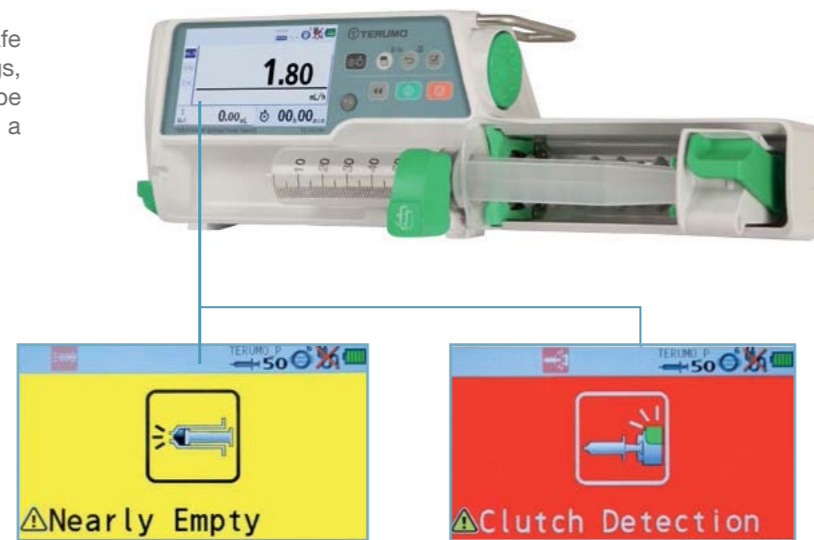
+ Advanced communication

In order to maintain a professional hospital Information system both wired and wireless communication is available with Terufusion Smart pumps whether fitted to a standard pole clamp or in the Terufusion rack system.



+ Monitoring

All necessary information to ensure safe patient treatments, (e.g. alarms, warnings, flow rate, name of medication etc.) can be easily read in one clear view even from a distance on the large coloured screen.



+ Accuracy

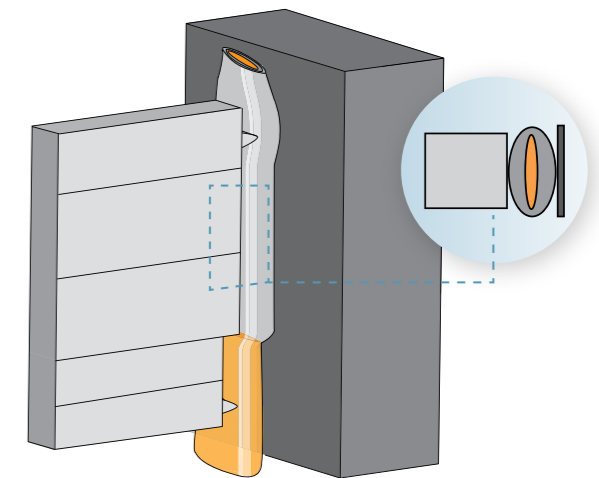
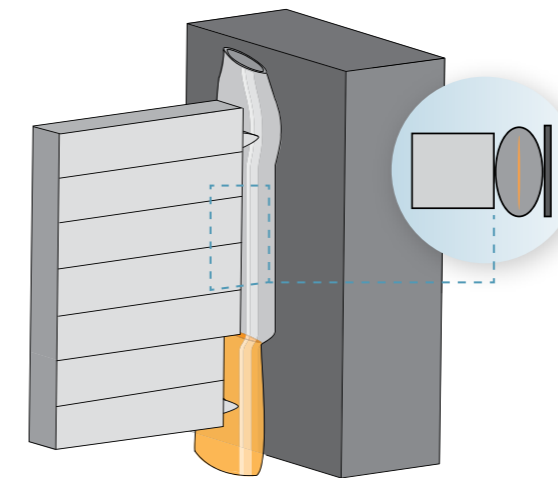
The unique Midpress peristaltic function, using fingers that only close the tube half way, prevents the tube from being damaged and maintains the flow rate resulting in continued high accuracy. (not on LF-600)



FULL PRESS



MID PRESS



	TE-SS700	TE-SS800
Product Specifications		
Product name	TE-SS700/TE-SS702 ¹	TE-SS800
Type of device	Terufusion syringe pump	
Classification & EMC	Class I and internally powered equipment, Type CF (according to IEC/EN 60601-1) Class IIb medical device (according to Council Directive 93/42/EEC) IEC/EN 60601-1-2, IEC/EN 60601-2-24	
Moisture protection	IP 24	
Size / Weight	TE-SS700/SS800: 381mm(W) x 120mm(H) x 112mm(D), approx. 2.0 kg TE-SS702: 381mm(W) x 120mm(H) x 131mm(D), approx. 2.0 kg	
Performance Data		
Compatible disposables	Luer lock syringes (TERUMO and other specified brands) Sizes: 5, 10, 20, 30, 50/60mL	
Flow rate setting range	0.01 - 150 mL/h (for 5 mL syringes) 0.01 - 300 mL/h (for 10, 20 and 30 mL syringes) 0.01 - 1200 mL/h (for 50/60 mL syringes)	
Flow rate display change	0.01 mL/h step (0.01 to 10.00 mL/h) 0.10 mL/h step (10.00 to 100.00 mL/h) 1.00 mL/h step (100.00 to 1200.00 mL/h) (Will be 0.00 mL/h when power is turned on)	
Advanced dose mode	N/A	Interval/intermittent mode. Multi-step mode. Delayed start mode. To be able to use the advanced mode, the drug library needs to be installed. To install the drug library, separate dedicated software is required - please contact your local Terumo office.
Combination dose mode	N/A	Double Method (pair piggy)
KVO ²	Configurable: 0.1 ml/h - 3.0 ml/h, 0.1 ml/h step (when the set flow rate is lower than the KVO flow rate, solution delivery continues at the set flow rate)	
Safety System		
Drug library	N/A	Up to 3000 drug entries. Up to 30 user defined profiles. To be able to use the drug library, separate dedicated software is required - please contact your local Terumo office.
Free flow protection	N/A	
Drop control	N/A	
Alarms	Occlusion, Nearly Empty, Slider Displacement, Syringe Barrel Detection, Syringe Displacement, Plunger Displacement, Battery, Re-alarm, Start Reminder, No Flow. Rate, No VTBI*, Flow Rate/VTBI Volume Judgment*, Completion*, *: Only if the VTBI setting function is enabled (Default: disabled)	Occlusion, Pressure, Nearly Empty, Slider Displacement, Syringe Barrel Detection, Syringe Displacement, Plunger Displacement, Battery, Re-alarm, Start Reminder, No Flow Rate, No VTBI*, Flow Rate/VTBI Volume Judgment*, Completion*, Link Interruption *: Only if the VTBI setting function is enabled (Default: disabled)
Power Supply		
Power supply	AC 100-240V, 50-60 Hz, Internal battery (Lithium ion battery)	
Battery operating time	Approx. 12 hours (at 5 mL/h and 25°C with a new fully charged battery)	
Battery recharging time	≥8 hours (when charged with AC power supply with the power turned off)	
History and Interfaces		
Interface type	RS232C (only on TE-SS702)	IRDA and Wireless LAN
Nurse call	In RS232C (only on TE-SS702)	N/A

¹ With RS-232C connection

² Special function that can be enabled by TERUMO trained service technicians by changing the internal settings of the pump.

TE-LF600	TE-LM700	TE-LM800
TE-LF600/TE-LF602 ¹	TE-LM700/TE-LM702 ¹	TE-LM800
Terufusion volumetric infusion pump		
Class I and internally powered equipment, Type CF (according to IEC/EN 60601-1) Class IIb medical device (according to Council Directive 93/42/EEC) IEC/EN 60601-1-2, IEC/EN 60601-2-24		
IP22		
TE-LF600/LM700/LM800: 253mm(W) x 120mm(H) x 102mm(D), approx. 2.0 kg TE-LF602/LM702: 253mm(W) x 120mm(H) x 121mm(D), approx. 2.0 kg		
Infusion set (TERUMO)	TERUMO dedicated infusion sets (with Free Flow Protection)	
3.00 to 300.00 mL/h (when setting is 20 drops/mL) 1.00 to 100.00 mL/h (when setting is 60 drops/mL)	When not using the drip sensor 0.10 to 1200.00 mL/h When using the drip sensor 0.10 to 1200.00 mL/h (when setting is 20 drops/mL) 0.10 to 300.00 mL/h (when setting is 60 drops/mL)	
0.01 mL/h step (0.00 to 10.00 mL/h) 0.10 mL/h step (10.00 to 100.00 mL/h) 1.00 mL/h step (100.00 to 999.00 mL/h) (Will be 0.00 mL/h when power is turned on)	0.10 mL/h step (0.10 to 100.00 mL/h) 1.00 mL/h step (100.00 to 1200.00 mL/h) (Will be 0.00 mL/h when power is turned on)	
N/A	N/A	Interval/intermittent mode. Multi-step mode. Delayed start mode. To be able to use the advanced mode, the drug library needs to be installed. To install the drug library, separate dedicated software is required - please contact your local Terumo office.
Double Method (solo piggy, pair piggy)		
With set of 20 drop/mL: 3.00 mL/h (fixed) With set of 60 drop/mL: 1.00 to 3.00 mL/h (when the set flow rate is lower than the KVO flow rate, solution delivery continues at the set flow rate)	0.10 to 3.00 mL/h (when the set flow rate is lower than the KVO flow rate, solution delivery continues at the set flow rate)	
N/A	N/A	Up to 3000 drug entries. Up to 30 user defined profiles. To be able to use the drug library, separate dedicated software is required - please contact your local Terumo office.
Drip sensor can detect free flow (free flow alarm)	Anti-free flow clip installed inline	
Drip sensor	Optional: Drip sensor available	
Upper Occlusion, Lower Occlusion, Air-in-line, Door, Flow Rate Abnormality, Free Flow, Line Empty, Battery, Re-alarm, Start Reminder, No Flow Rate, No VTBI, Flow Rate/VTBI Volume Judgment, Completion	Upper Occlusion, Lower Occlusion, Air-in-line, Door, Flow Rate Abnormality, Free Flow, Line Empty, Drip Sensor Dislocation, Battery, Re-alarm, Start Reminder, No Flow Rate, No VTBI, Flow Rate/VTBI Volume Judgment, Completion	Upper Occlusion, Lower Occlusion, Pressure, Air-in-line, Door, Flow Rate Abnormality, Free Flow, Line Empty, Drip Sensor Dislocation, Battery, Re-alarm, Start Reminder, No Flow Rate, No VTBI, Flow Rate/VTBI Volume Judgment, Completion, Link Interruption
AC 100-240V, 50-60 Hz, Internal battery (Lithium ion battery)		
Approx. 5 hours (at 25mL/h at 25°C with a new fully charged battery)		
≥8 hours (when charged with AC power supply with the power turned off)		
RS232C (only on TE-LF602)	RS232C (only on TE-LM702)	IRDA and Wireless LAN
RS232C (only on TE-LF602)	In RS232C (only on TE-LM702)	N/A

For your country's product codes, please contact your local Terumo office.

Terufusion®

A clear view on infusion



Terumo Corporation
44-1, 2-chome, Hatagaya
Shibuya-ku, Tokyo 151-0072,
Japan
Tel.: +81 3 3374 8111
Fax: +81 3 3374 8196

Terumo Europe N.V.
Interleuvenlaan 40
3001 Leuven, Belgium
Tel.: +32 16 38 12 11
Fax: +32 16 40 02 49

**Terumo Europe N.V.
Benelux Sales Division**
Belgium:
Tel.: +32 16 39 25 80
The Netherlands:
Tel.: 0800 0220396

**Terumo Europe N.V.
Emerging Markets Division**
Tel.: +32 16 38 13 08

Terumo Deutschland GmbH
Tel.: +49 6196 80 230

**Terumo Deutschland GmbH
Zweigniederlassung Spreitenbach**
Tel.: +41 56 419 10 10

Laboratoires Terumo France S.A.
Tel.: +33 130 96 13 00

Terumo Italia S.r.l.
Tel.: +39 0651 96 14 20

Terumo Europe España SL
Tel.: +34 902 10 12 98

Terumo UK Ltd
Tel.: +44 1784 476 200

Terumo Russia LLC
Tel.: + 7 495 988 4740

Terumo Sweden AB
Tel.: +46 3174 85 880

Terumo Denmark
Tel.: +45 7020 93 80

**Terumo Corporation Dubai Branch
(Middle East and Africa)**
Tel.: + 971 4 221 2220



HO 139GB-0912TE-IV(02.14)E

© Registered Trademark
Published by Terumo Europe N.V.